

8.2 Main Amp/Power Supply (P701) Schematic Diagram and Component Locations

PM-64

RTV servis Horvat

Kešinci, 31402 Semeljci

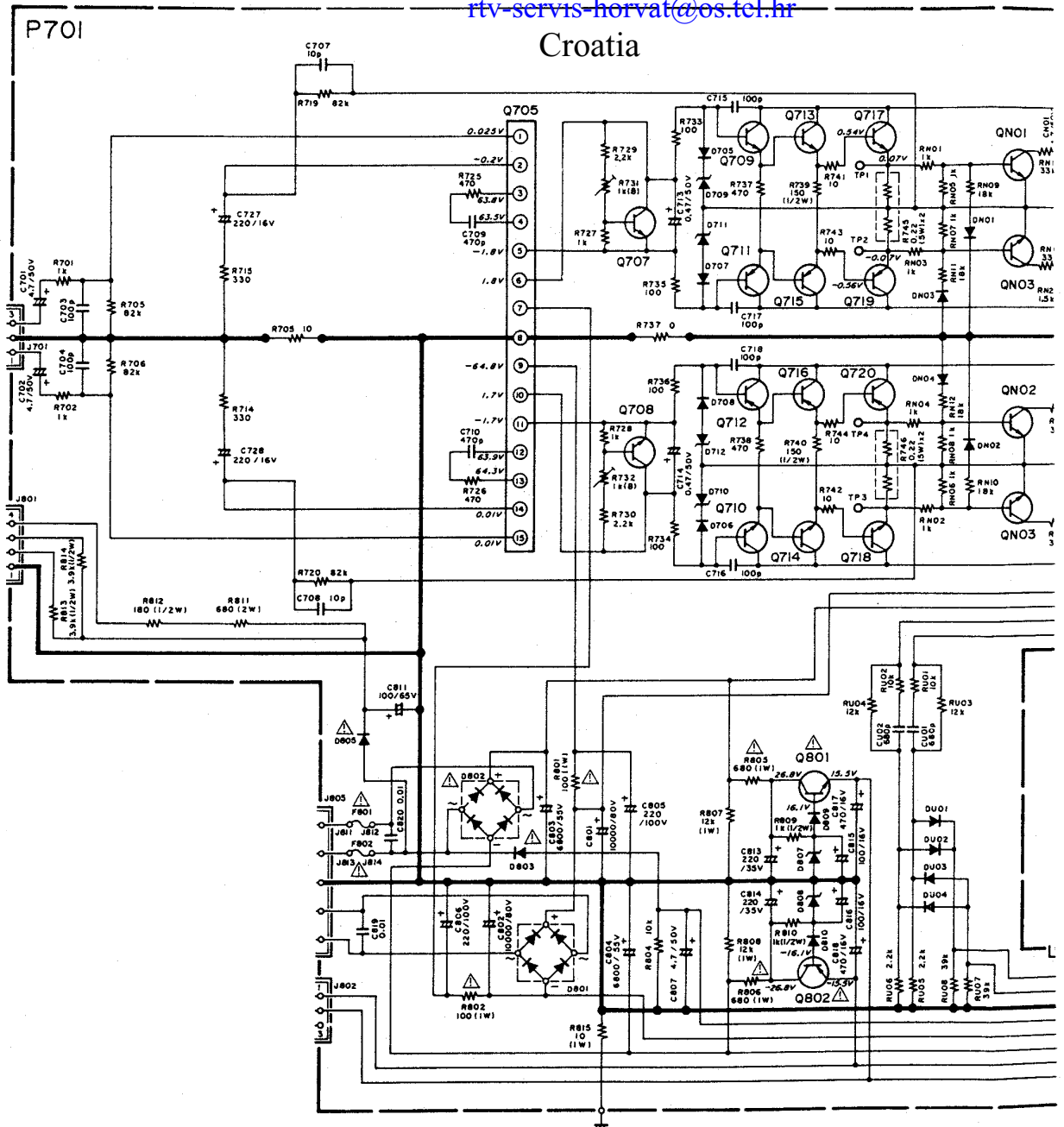
031-856-139

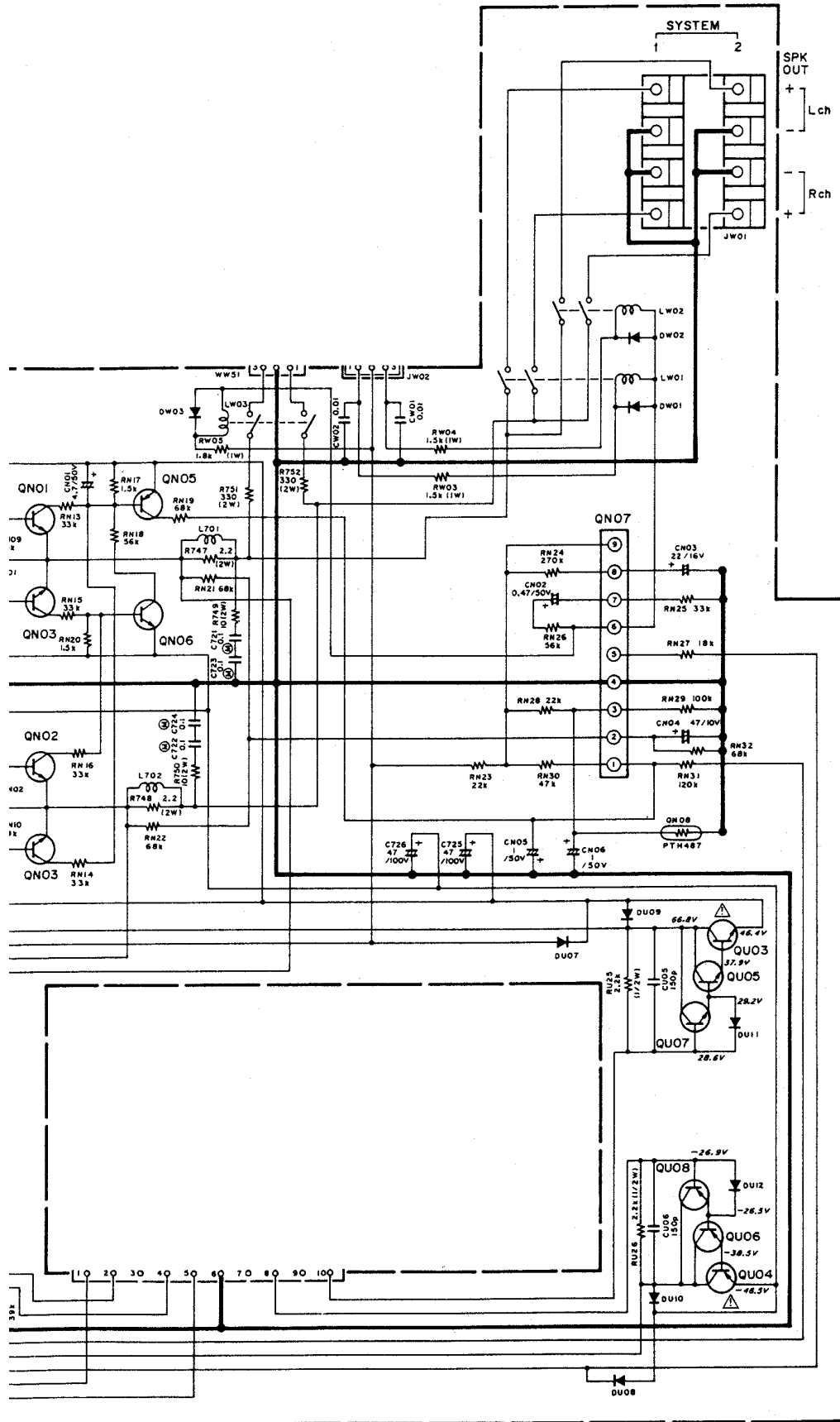
031-856-637

098-788-319

rtv-servis-horvat@os.tcl.hr

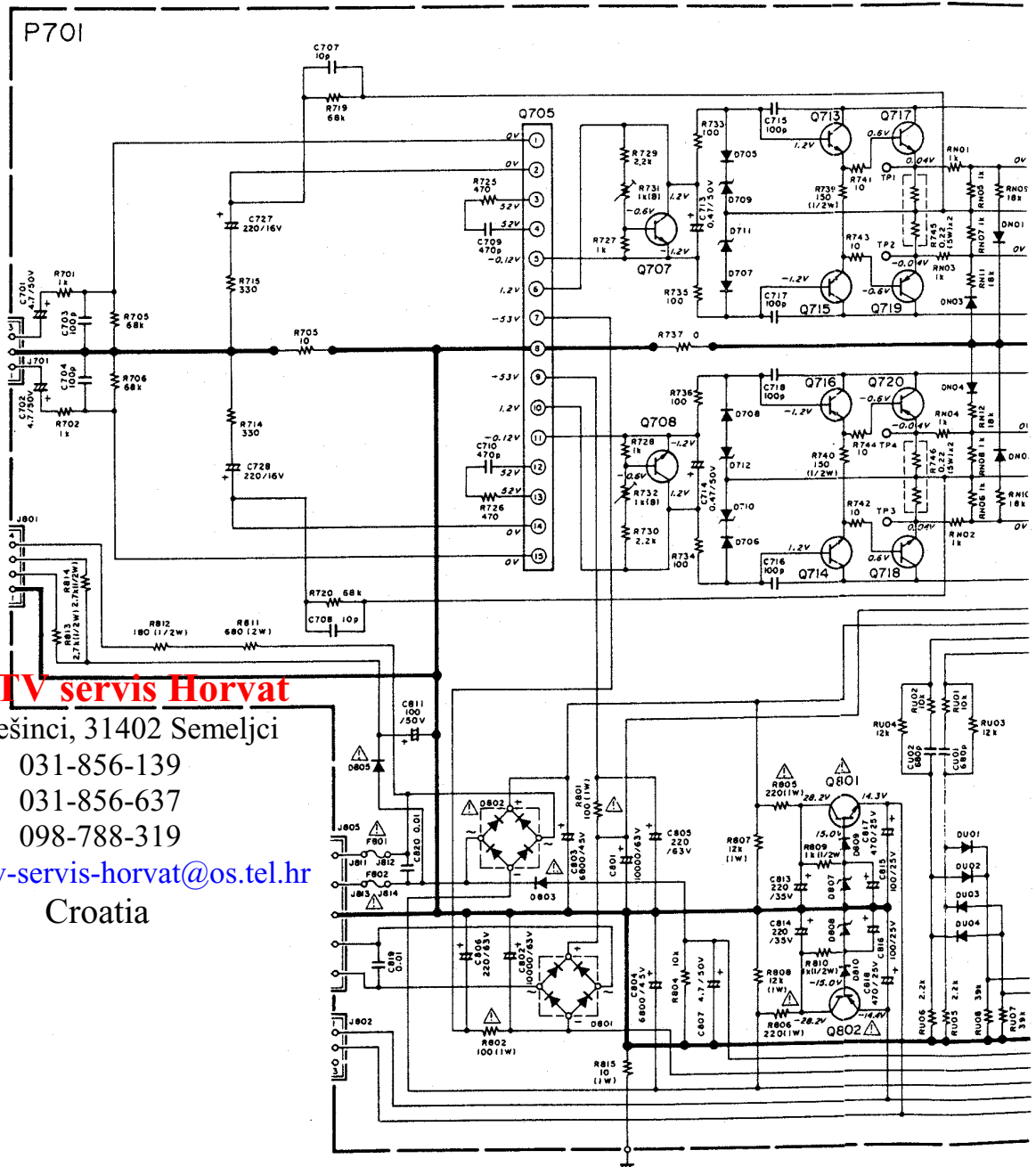
Croatia





8.2 Main Amp/Power Supply (P701) Schematic Diagram and Component Locations

PM-54



RTV servis Horvat

Kešinci, 31402 Semeljci

031-856-139

031-856-637

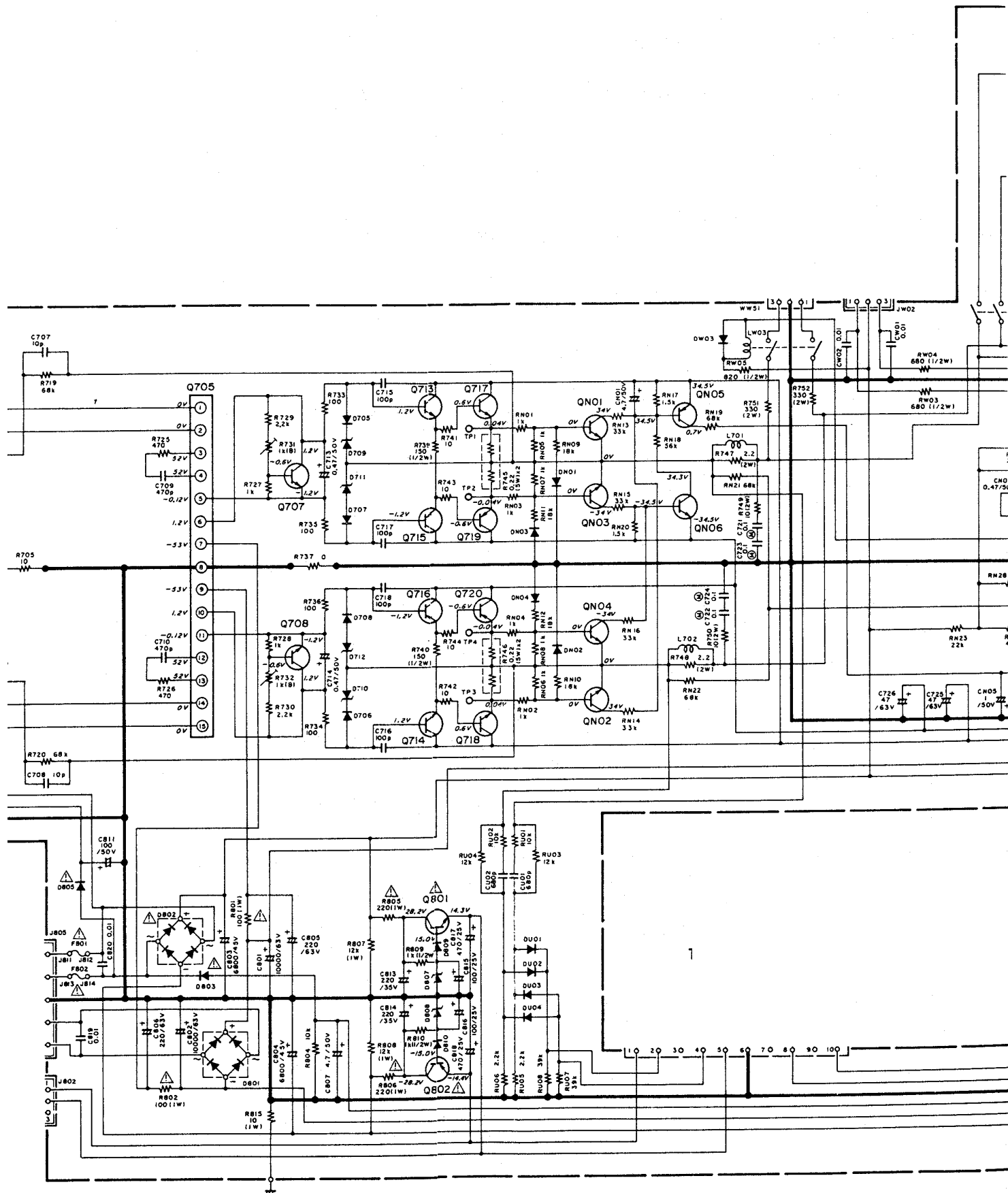
098-788-319

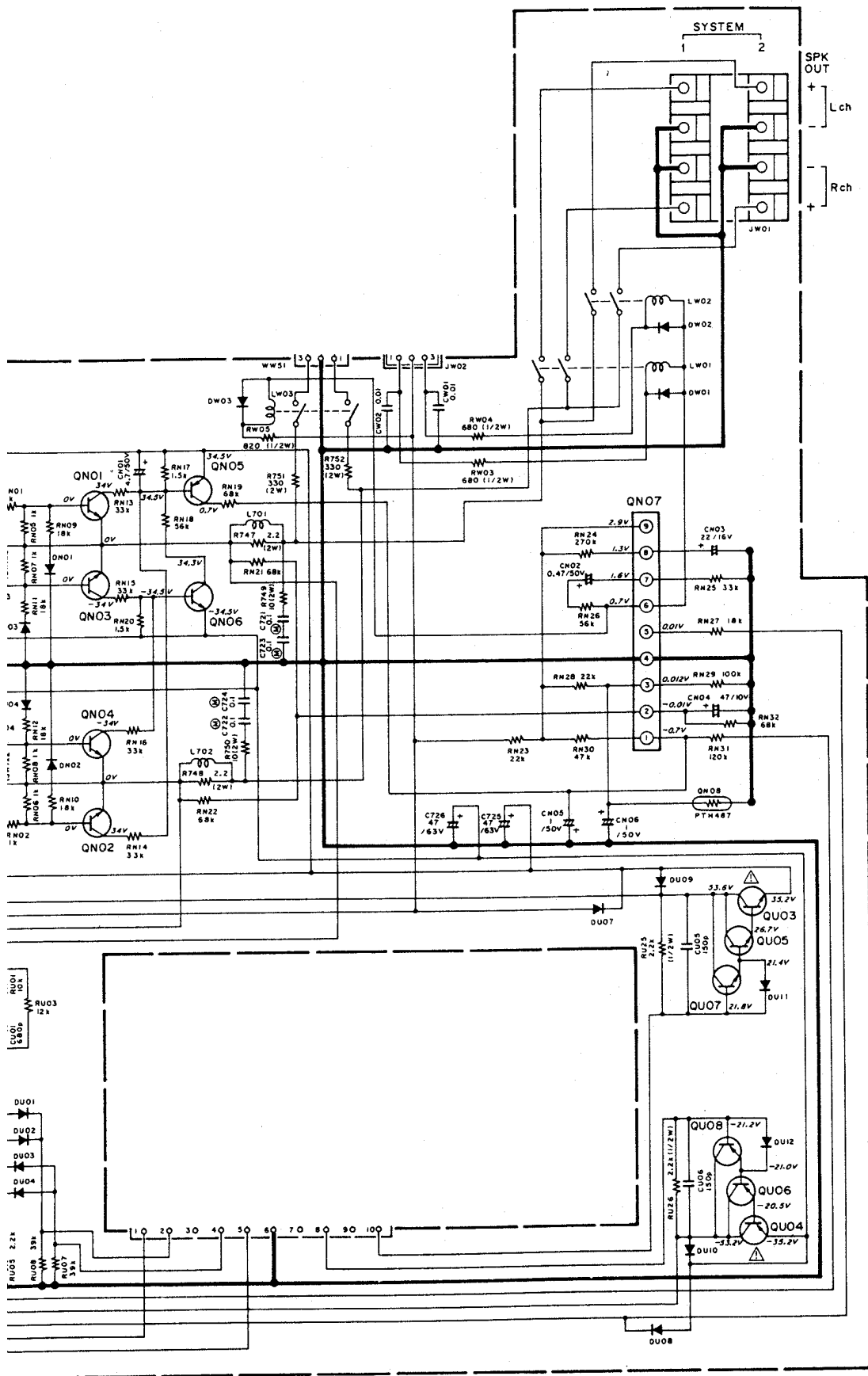
rtv-servis-horvat@os.tel.hr

Croatia

1

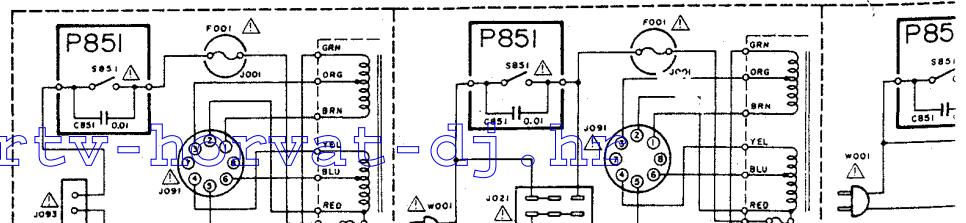
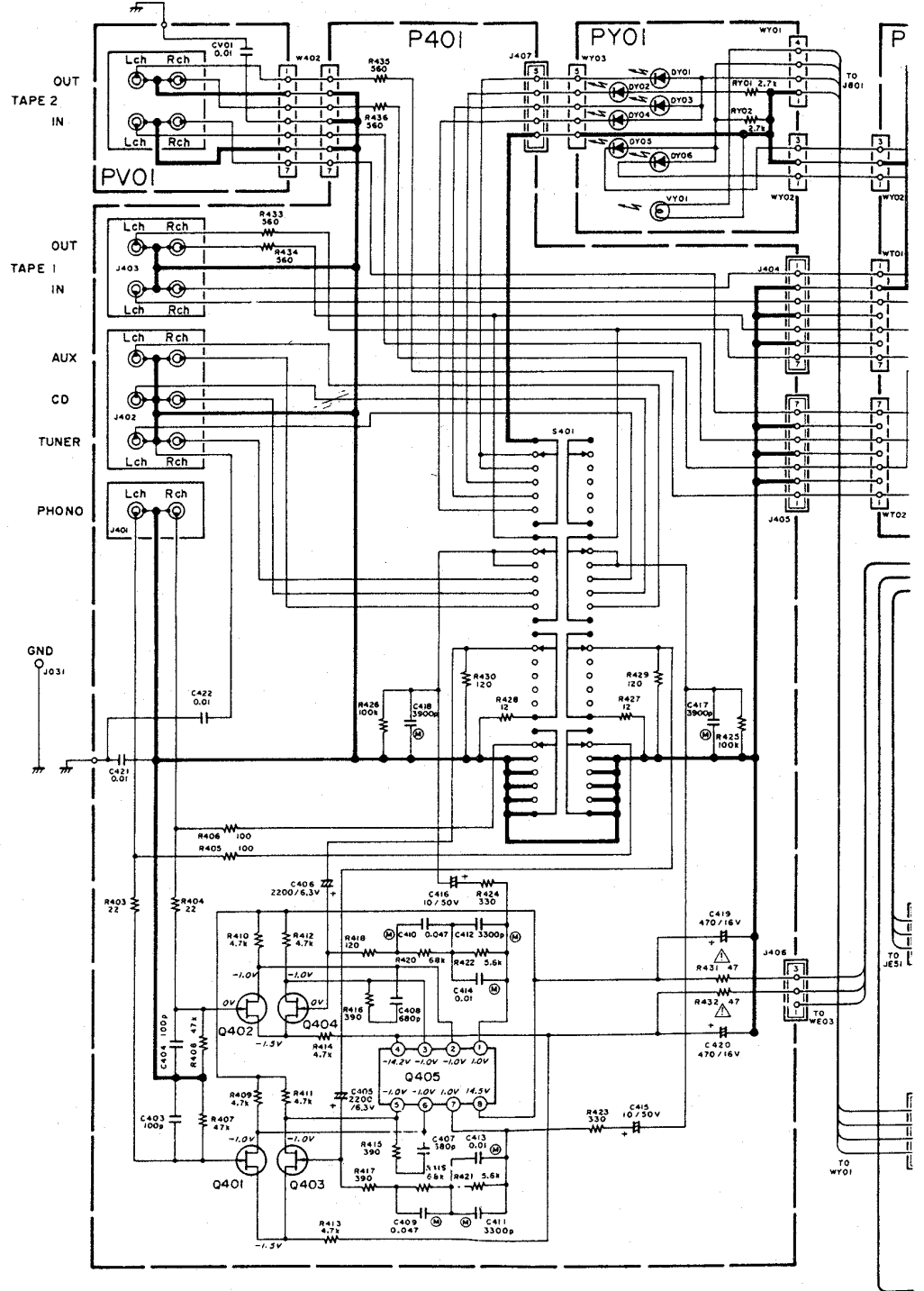
Diagram and Component Locations



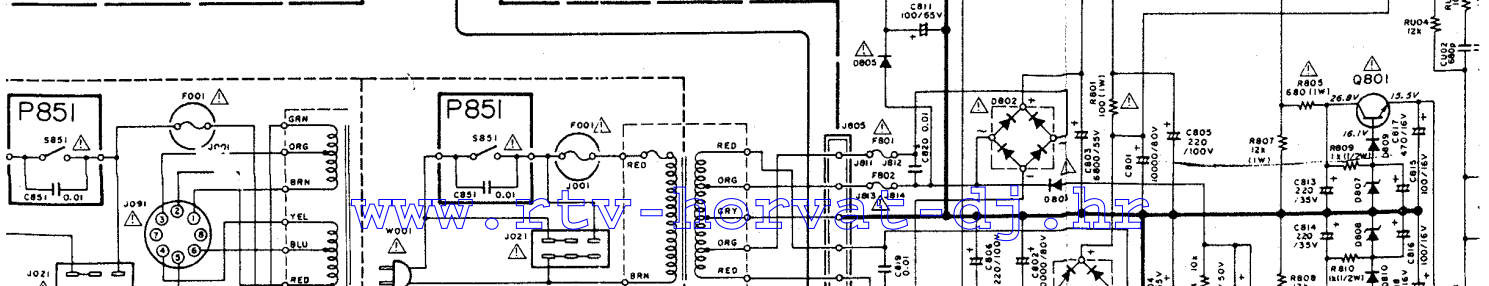
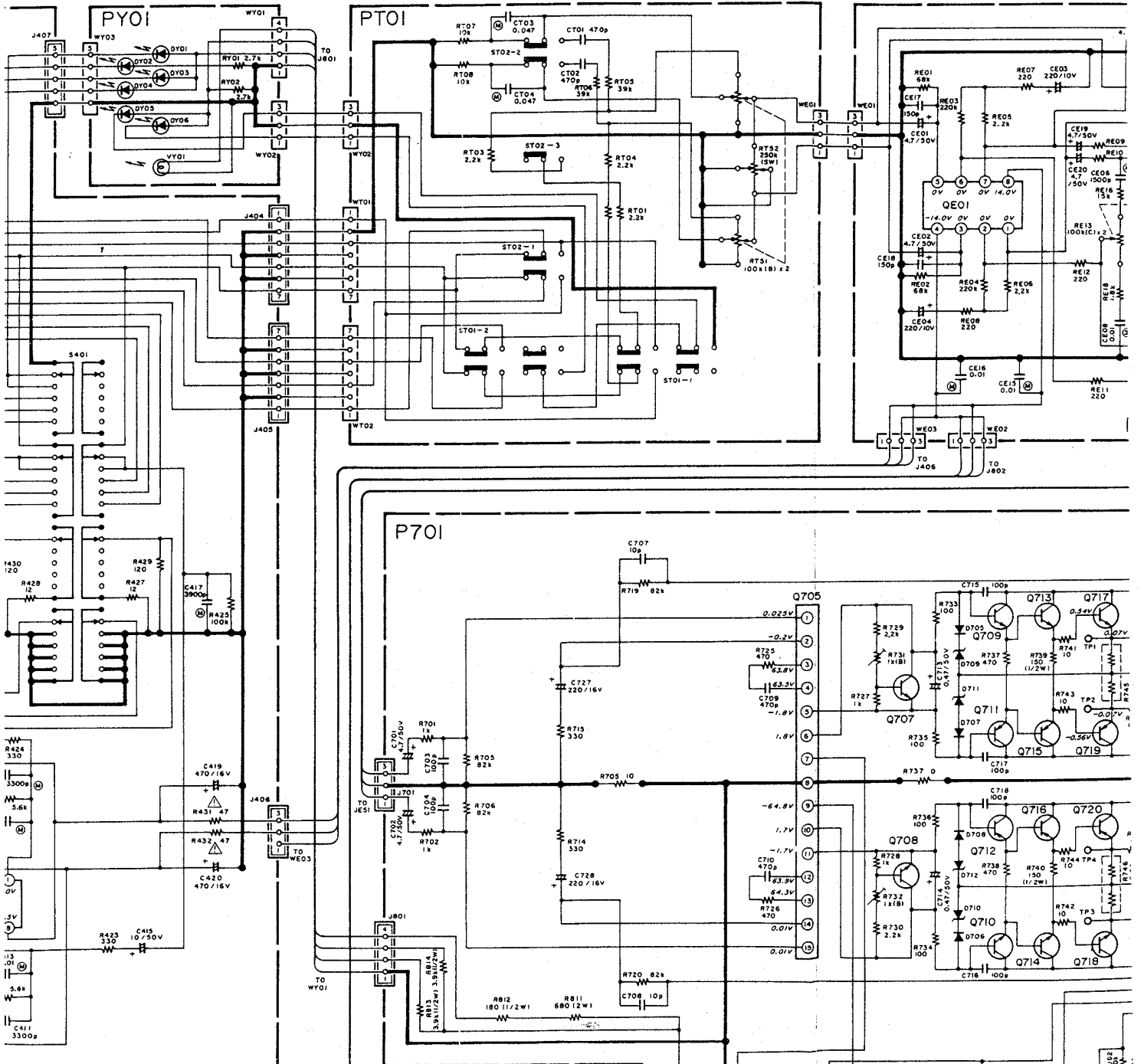


12. SCHEMATIC DIAGRAM

Q401 ~ Q404 HF203691B0 25K369(BL)	Q405 HC10017090 NJM2043DD	Q707, Q708 QN01, QN02, QN06, QU07, QU53 HT318452B0 25C1845 (F, E)	Q705 HC10145030 STK3102 II	Q709, Q710 HT326821P0 25C2682(P)	Q711, Q712 HT111421P0 25A1142 (P)	Q713, HT332 25C32
---	---------------------------------	--	----------------------------------	--	---	-------------------------



- | | | | | | | | | | | | | |
|------|----------------------------------|--|--|---|---|---|---|---|--|--------------------------------|---|------------------------|
| QU53 | Q705
HC10145030
STK3102 II | Q709, Q710
HT326821P0
25C2682(P) | Q711, Q712
HT111421P0
2SA1142(P) | Q713, Q714
HT332982D0
25C3298
(O, Y) | Q715, Q716
HT113062D0
2SA1306
(O, Y) | Q717, Q718
HT327742B0
25C2774
(O, Y) | Q719, Q720
HT111702B0
2SA1170
(O, Y) | Q801
HT412662B0
25D1266
(Q, P) | Q802
HT209412B0
25B941
(Q, P) | QE01
HC10026090
NJM2041D | QN03~QN05
QU08, QU54
HT109922B0
25A992
(F, E) | QN07
HC100
TA731 |
|------|----------------------------------|--|--|---|---|---|---|---|--|--------------------------------|---|------------------------|



RTV servis Horvat

Kešinci, 31402 Semeljci

031-856-139

031-856-637

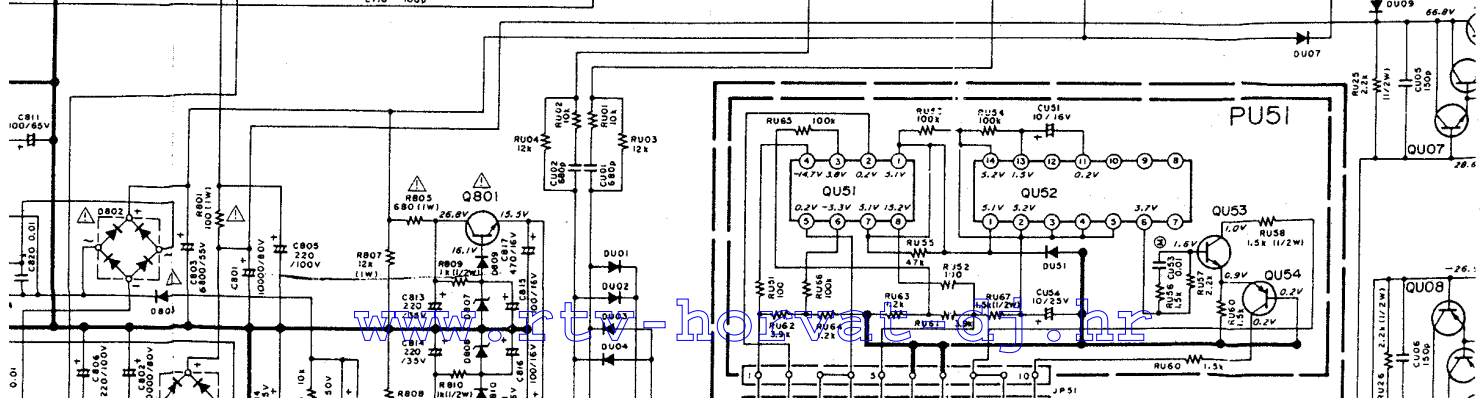
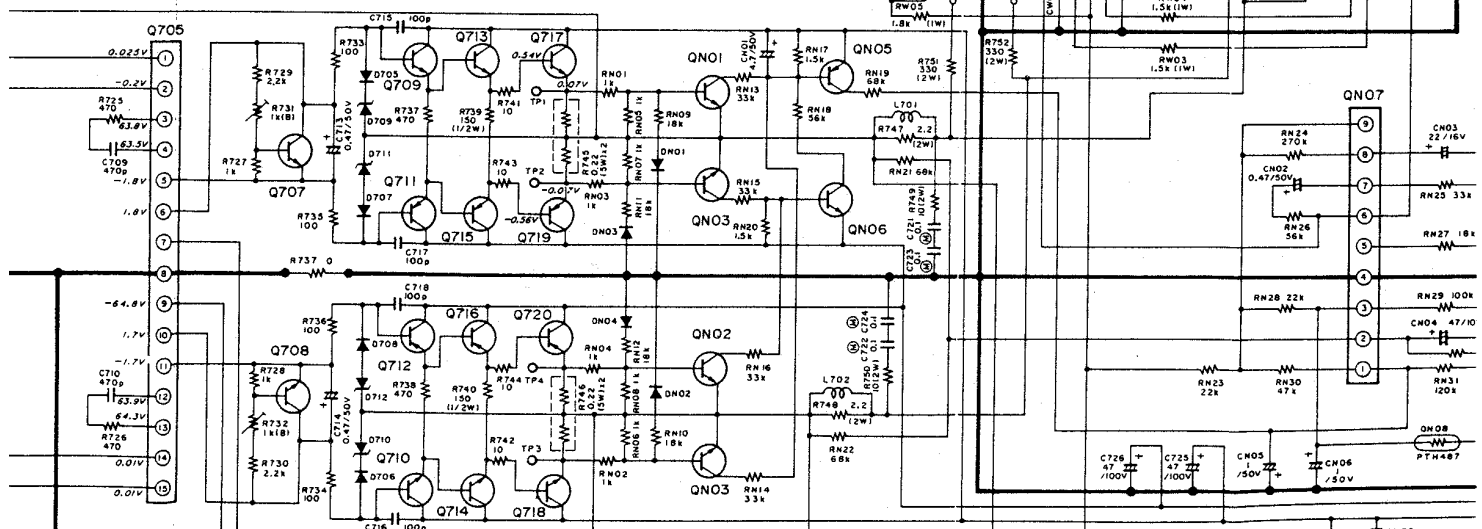
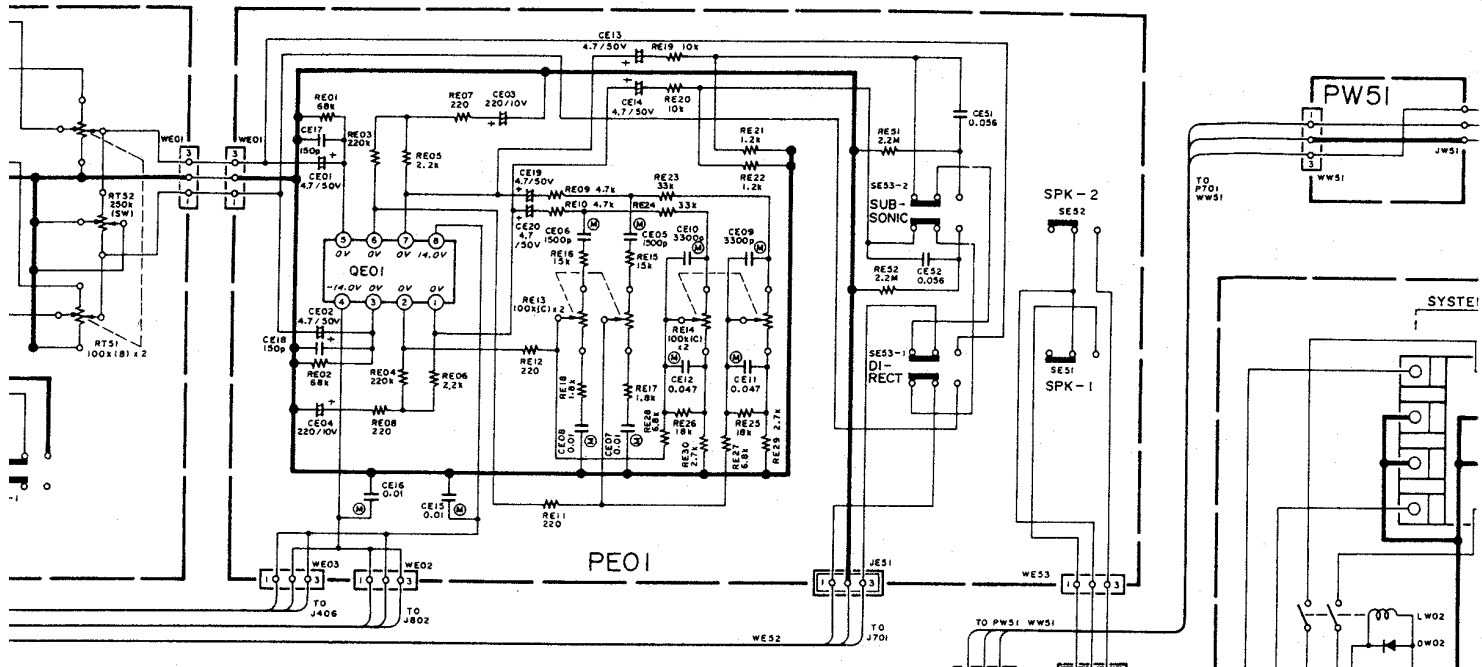
098-788-319

rtv-servis-horvat@os.tel.hr

Croatia



Q801	Q802	QE01	QN03~QN05	QN07	QU03	QU04	QU05	QU06	QU51	QU52	QU51
HT412662B0	HT209412B0	HC10026090	QU08,QU54	HC10042050	HT412382B0	HT209222B0	HT323441D0	HT110111D0	HC10022090	HC712200A0	HD20002:
2SD1266	2SB941	NJM20410	HT109922B0	TA7317P	2SD1238	2SB922	25C2344(D)	2SA1011(D)	NJM29030	HA74LS122P	IS2472
(Q,P)	(Q,P)		(F,E)		(R,S)	(R,S)					



MODEL PM-64

- | | | | | | | | |
|----------|------------|------------|------------|------------|------------|-----------------|------------|
| 04 | QU05 | QU06 | QU51 | QU52 | OU51 | D705~D708 | D709~D712 |
| 209222B0 | HT32344(D) | HT11011(D) | HC10022090 | HC712200A0 | HD20002210 | D803, DN01~DN04 | HD30064060 |
| B922 | 25C2344(D) | 2SA1011(D) | NJM29030 | HA74LS122P | IS2472 | DU01~DU04, DU11 | RD6.2E |
| (R,S) | | | | | | DUI2, DW01~DW03 | HD20003210 |
| | | | | | | | IS2471 |

- D805
DU09, DU10
HD20022030
DSF10C

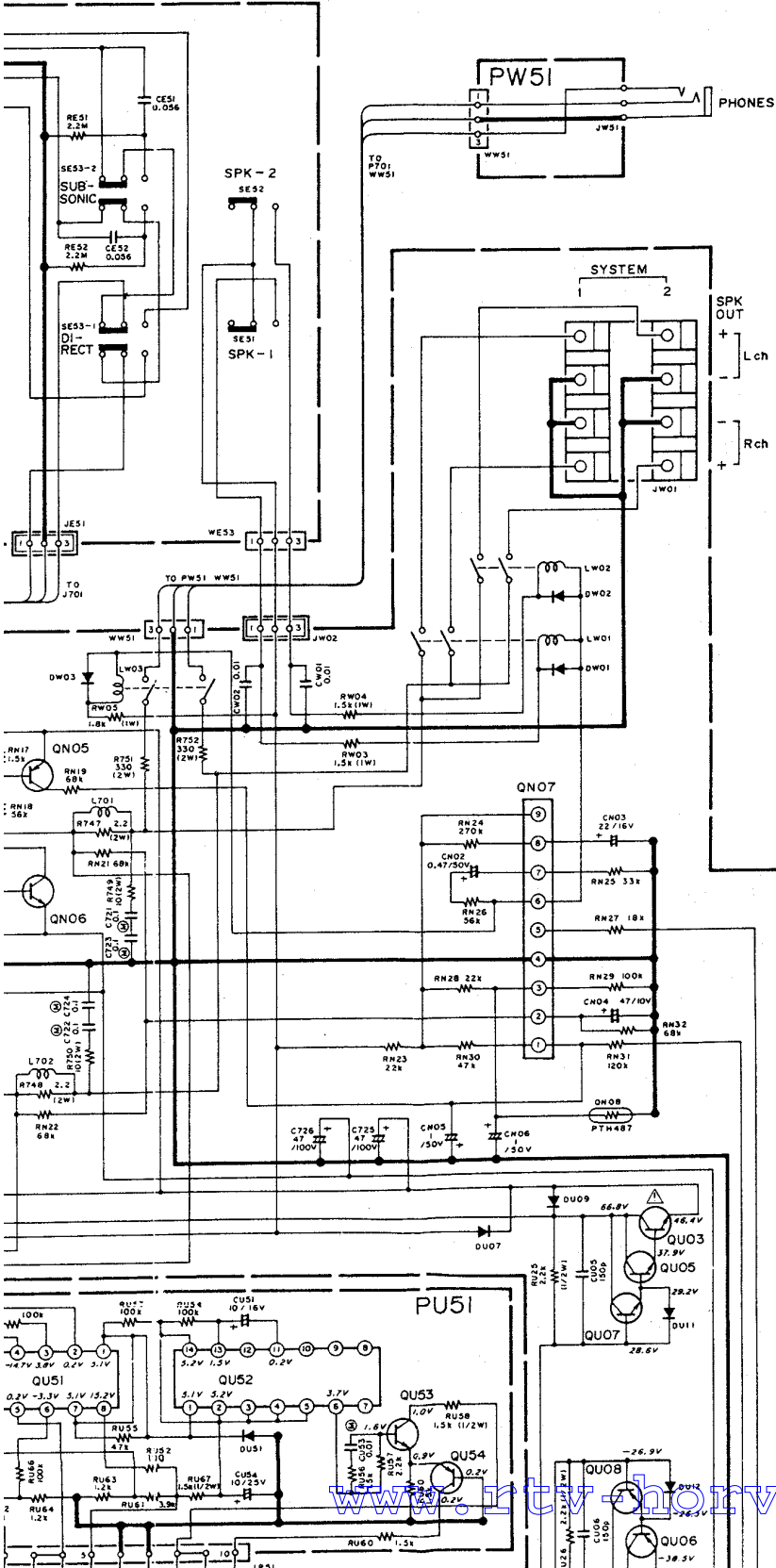
- D801
HE20013290
D5FB20

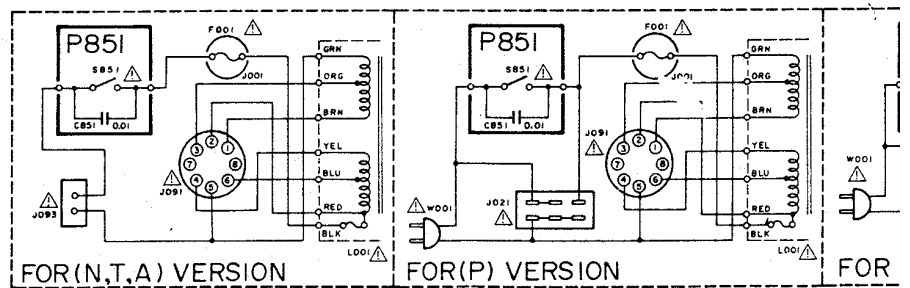
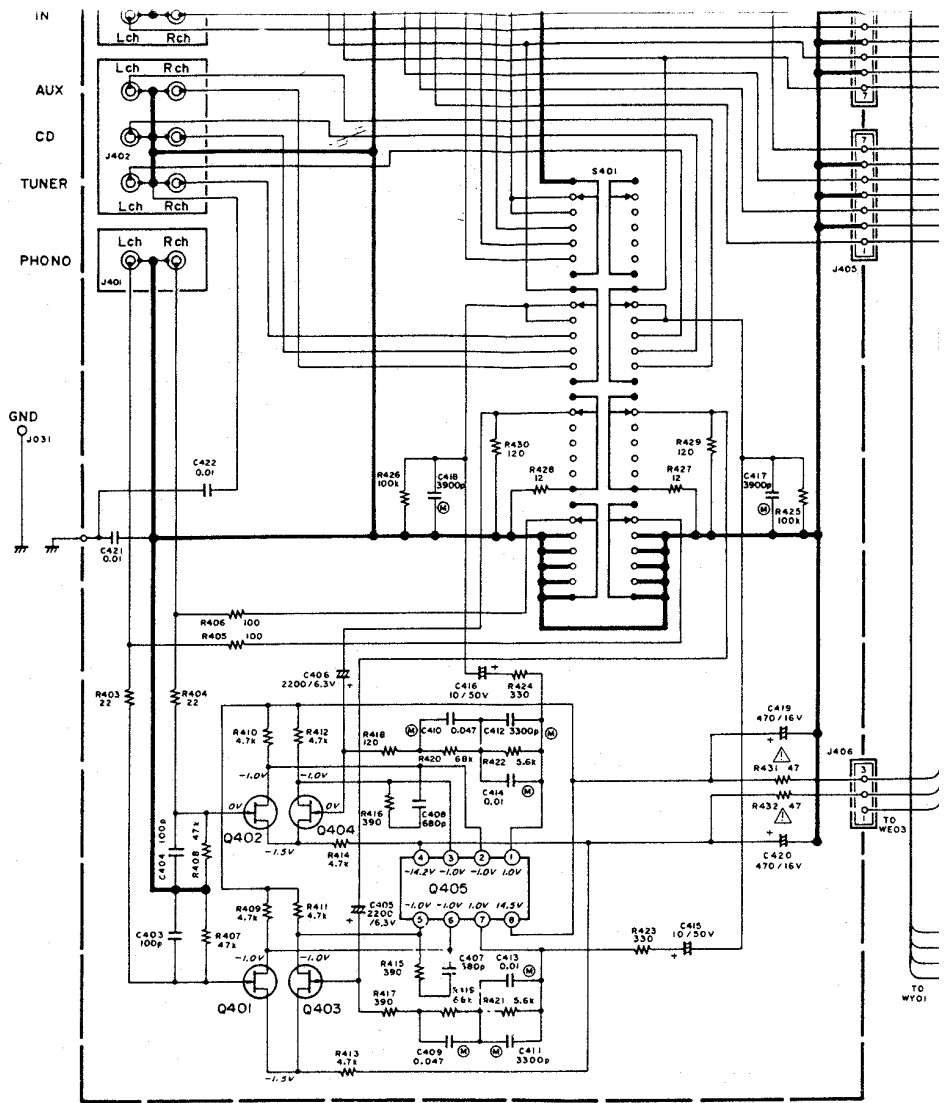
- D802
HD20008290
S4VB20

- D807, D808
HD30051060
RD16E

- DU07, DU08
HD20011290
S3VB20

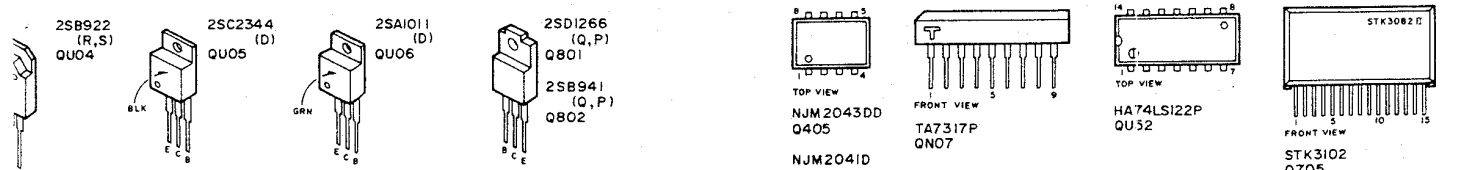
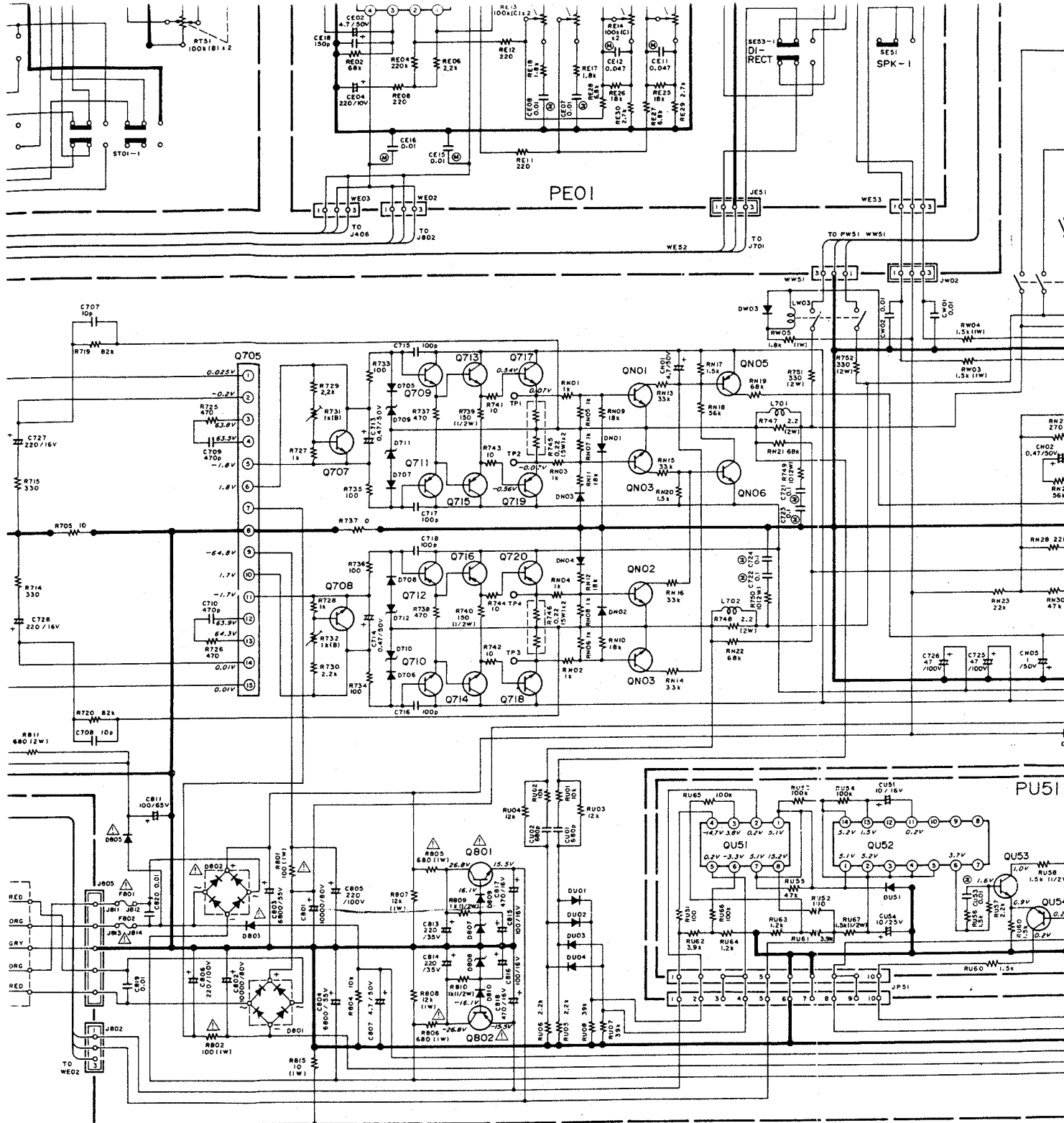
- DY01~DY06
HI10028320
GL-9HD4





- 2SC1845 (F, E)
Q707, Q708
Q001, Q002, Q006, Q007, Q053
- 2SA992 (F, E)
Q003 ~ Q005, Q008, Q054
- 2SC2682 (P)
Q709, Q710
- 2SA1142 (P)
Q711, Q712
- 2SK369 (BL)
Q401 ~ Q404
- 2SC3298 (O, Y)
Q713, Q714
- 2SA1 (C)
Q715

NOTE ON SAFETY:
 Symbol Δ Fire or electrical shock hazard. Only original parts should be used to replace any part marked with symbol Δ . Any other component substitution (other than original type) may increase risk of fire or electrical shock hazard.



RTV servis Horvat

Kešinci, 31402 Semeljci

031-856-139

031-856-637

098-788-319¹

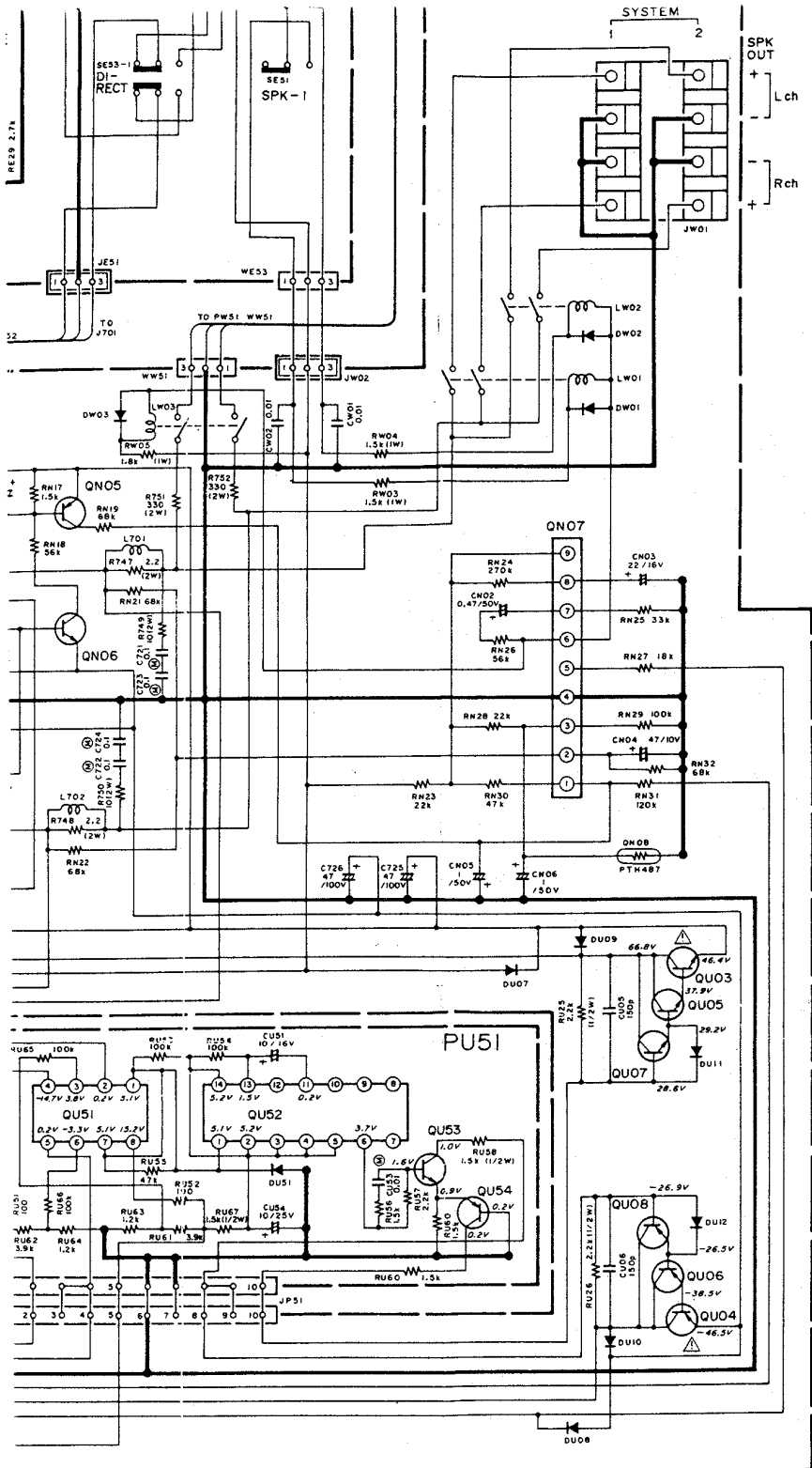
rtv-servis-horvat@os.tel.hr

www.rtv-horvat-dj.hr

Croatia

42903D
51

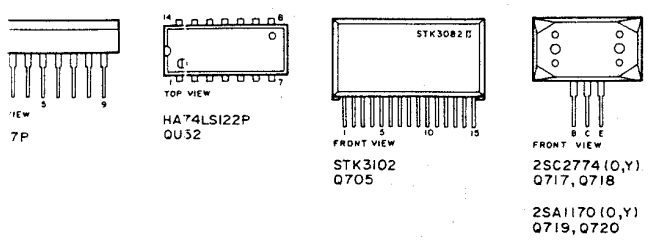
Components and wiring are subject to change for



D807, D808
HD30051060
RD16E

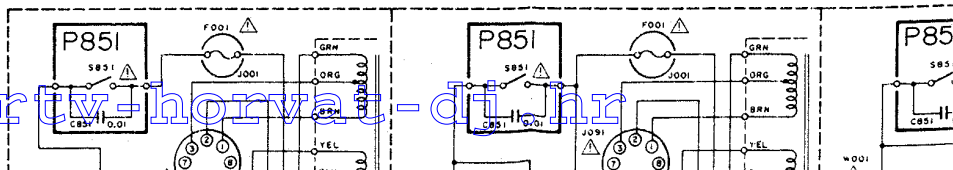
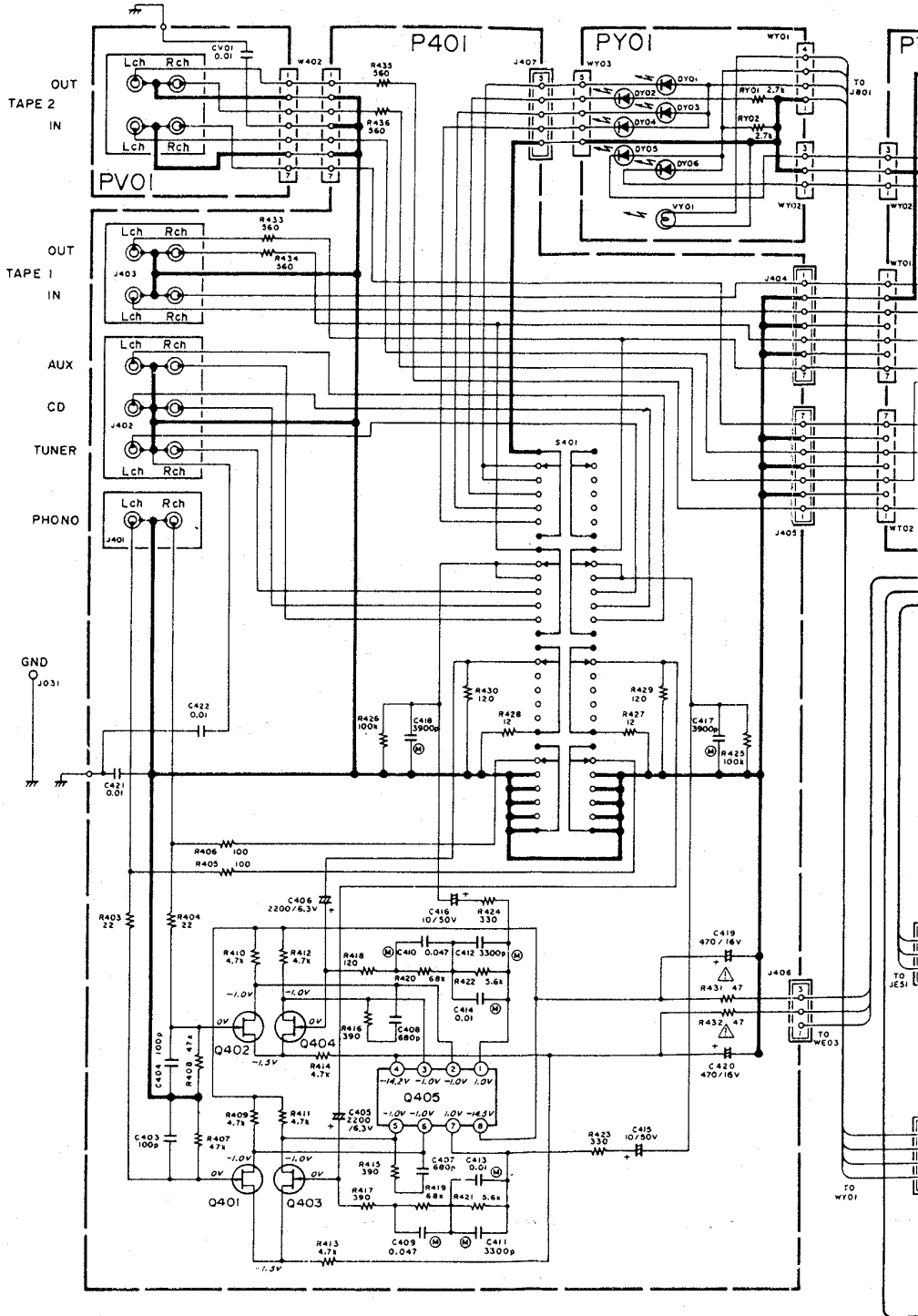
DU07, DU08
HD20011290
S3VB20

DY01~DY06
HI1002B320
GL-9HD4



Components and wiring are subject to change for modification without notice.

Q401~Q404 HF203691B0 25X3691(BL)	Q405 HC10017090 NJM2043DD	Q707,Q708 QN01,QN02,QN06,QU07,QU53 HT318452B0 2SC1845(F,E)	Q705 HC10145030 STK3102II	Q713,Q714 HT332982D0 2SC3298 (O,Y)	Q715,Q716 HT113062D0 2SA1306 (O,Y)	Q717,C HT327 2SC27
--	---------------------------------	---	---------------------------------	---	---	--------------------------



Q707, Q708
 QN01, QN02, QN06, QU07, QU53
 HT318452B0
 2SC1845(F,E)

Q705
 HC10145030
 STK3102 II

Q713, Q714
 HT332982D0
 2SC3298
 (O, Y)

Q715, Q716
 HT113062D0
 2SA1306
 (O, Y)

Q717, Q718
 HT327732B0
 2SC2773
 (O, Y)

Q719, Q720
 HT11692B0
 2SA1169
 (O, Y)

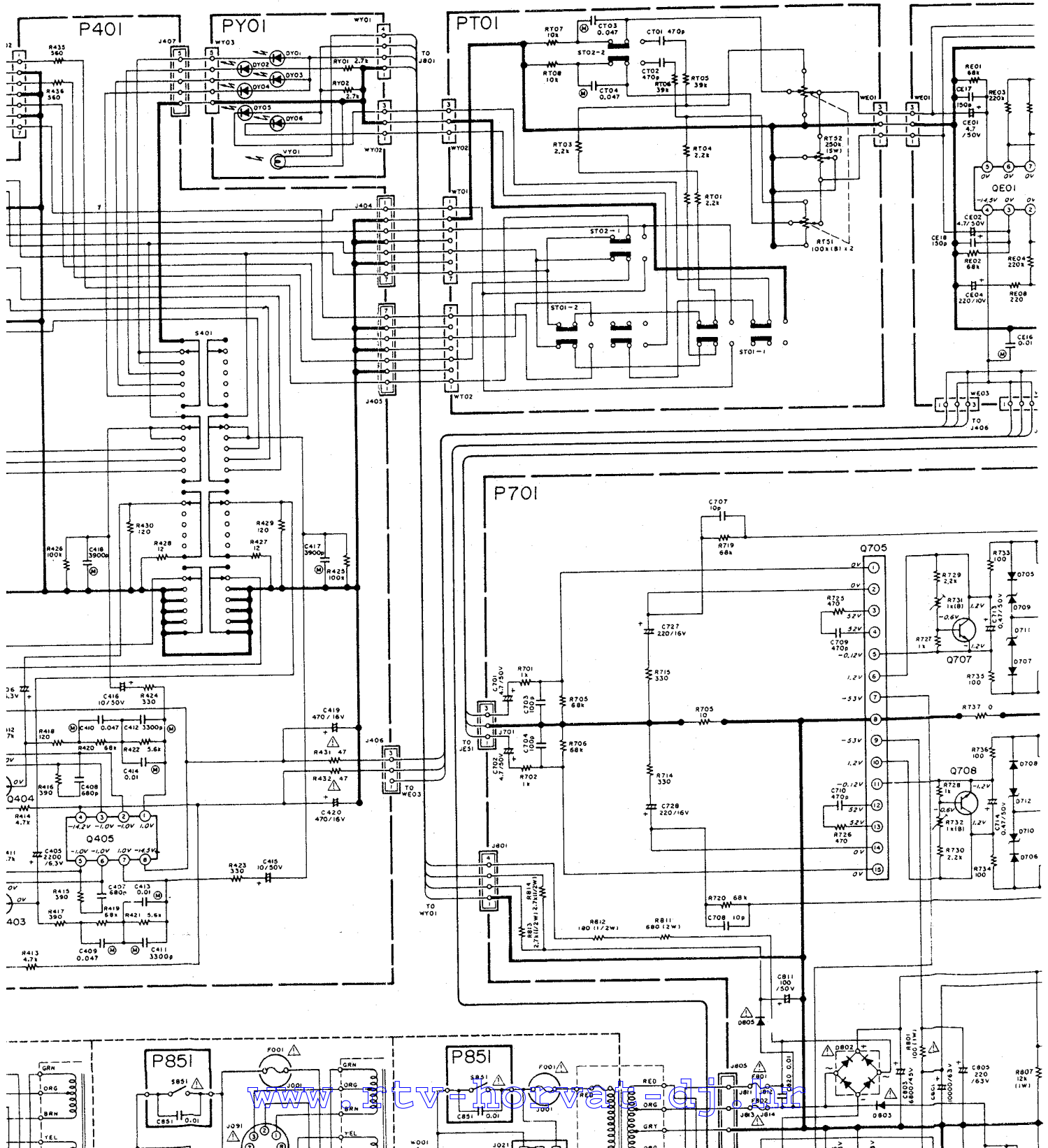
Q801
 HT412662B0
 2SD1266
 (Q, P)

Q802
 HT209412B0
 2SB941
 (Q, P)

QE01
 HC10026090
 NJM2041D

QN03 ~ QN05
 QU08, QU54
 HT109922B0
 2SA992
 (F, E)

QN07
 HC10042050
 TA7317P



RTV servis Horvat

Kešinci, 31402 Semeljci

031-856-139

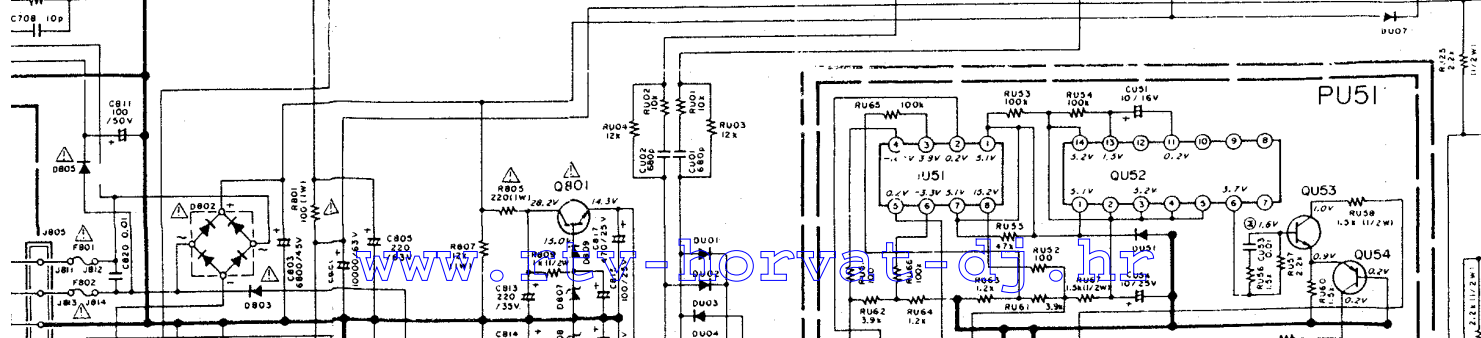
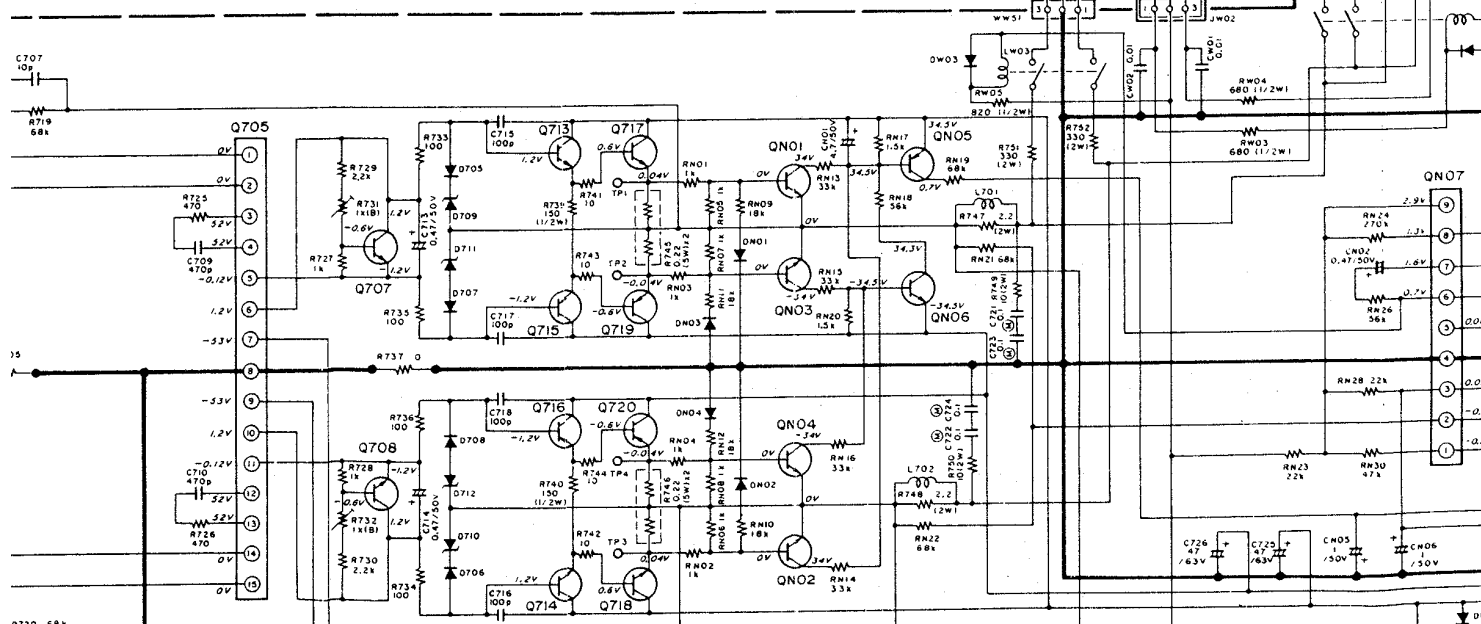
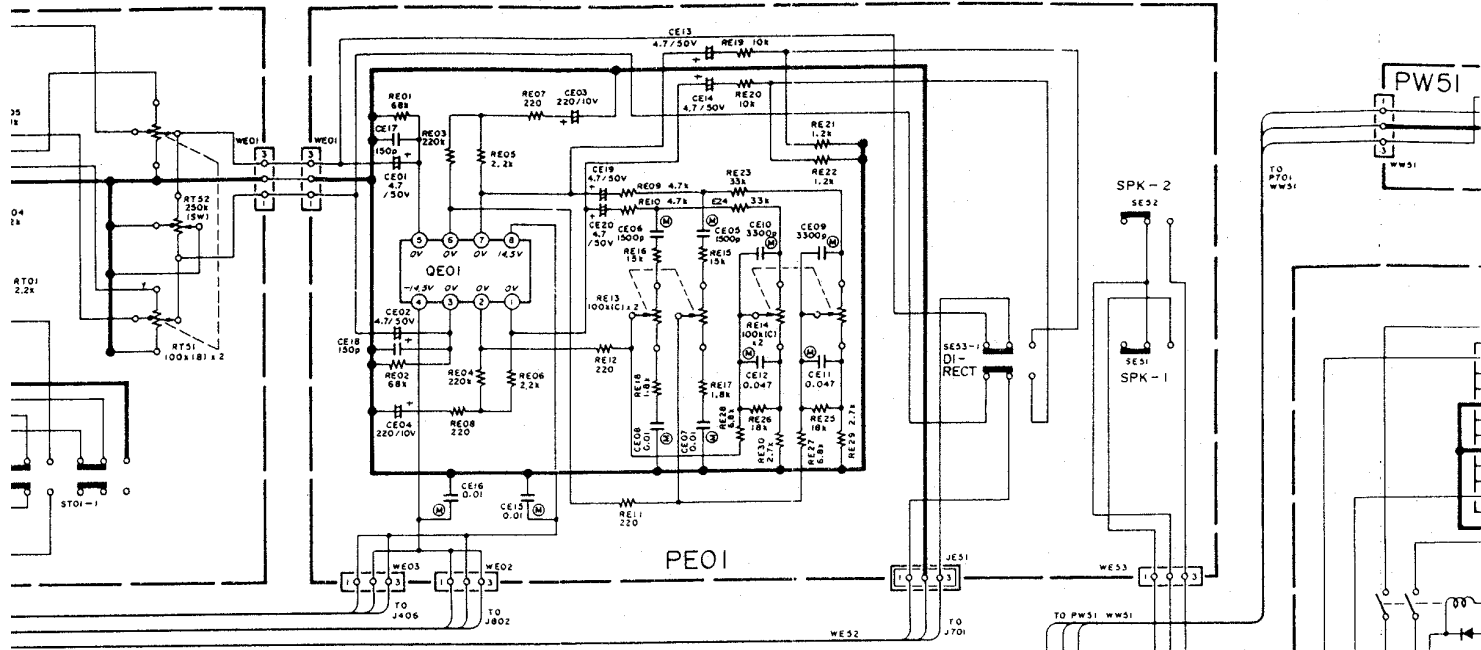
031-856-637

098-788-319

rtv-servis-horvat@os.tel.hr

Croatia

- | | | | | | | | | | | | |
|--------------------------------------|--------------------------------|--|-------------------------------|--|---------------------------------------|----------------------------------|----------------------------------|--------------------------------|----------------------------------|------------------------------|--|
| 1B02
IT209412B0
SB941
(Q,P) | QE01
HC10026090
NJM2041D | QN03 ~ QN05
QU08, QU54
HT109922B0
ZSA992
(F,E) | QN07
HC10042050
TA7317P | QU03
HT412382B0
ZSD1233
(R,S) | QU04
HT209922B0
ZS8992
(R,S) | QU05
HT323441D0
ZSC2344(D) | QU06
HT110111D0
ZSA1011(D) | QU51
HC10022090
NJM2903D | QU52
HC71220040
HA74LS122P | DU51
HD20002210
IS2472 | 0705 ~ 0708
D803, DNO1 ~ DNO
DU01 ~ DU04, DU11
DU12, DWO1 ~ DWO
HD20003210
IS2471 |
|--------------------------------------|--------------------------------|--|-------------------------------|--|---------------------------------------|----------------------------------|----------------------------------|--------------------------------|----------------------------------|------------------------------|--|



www.rtv-servis-horvat-dj.hr

MODEL PM-54

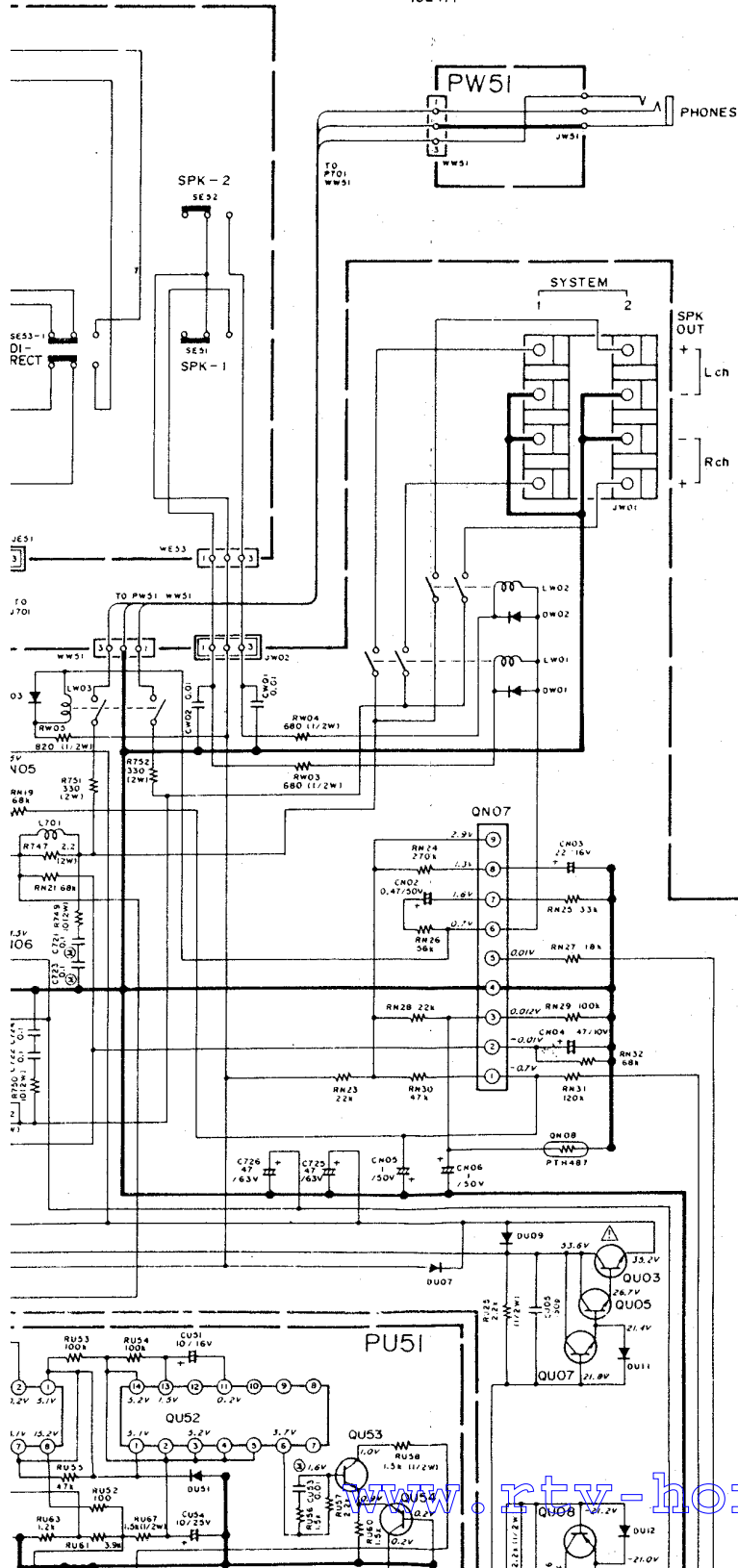
QU51 HC10022090 NJM2903D	QU52 HC712200A0 HA74LS122P	DU51 HD20002210 IS2472	D705 ~ D708 D803, DN01 ~ DN04 DU01 ~ DU04, DU11 DU12, DW01 ~ DW03 HD20003210 IS2471	D709 ~ D712 D805, DN01 ~ DN04 HD30064060 RD6-2E	D805 DU09, DU10 HD20022030 DSF10C	D801 HE2009290 S5VB20
--------------------------------	----------------------------------	------------------------------	--	--	--	-----------------------------

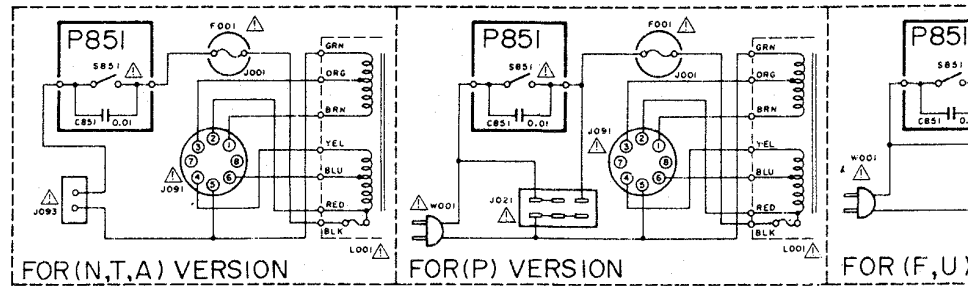
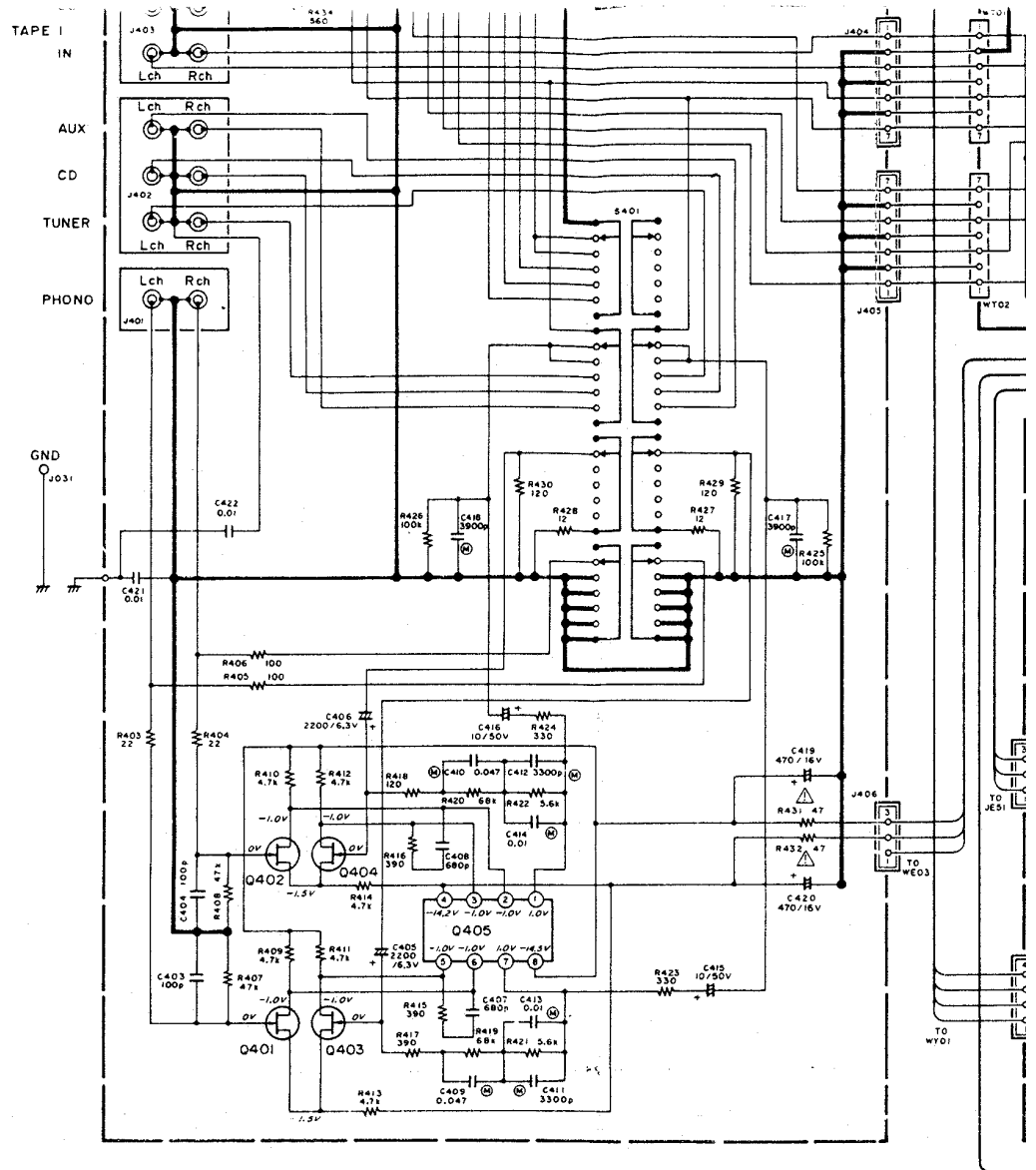
D802
HD20008290
S4VB20



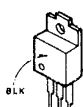
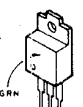

D807, D808
HD30051060
RD16E

DU07, DU08
HD20011290
S3VB20

DY01 ~ DY06
H110028320
GL-9H04

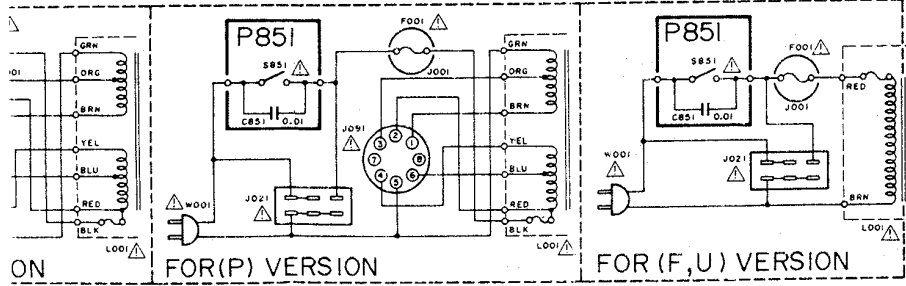
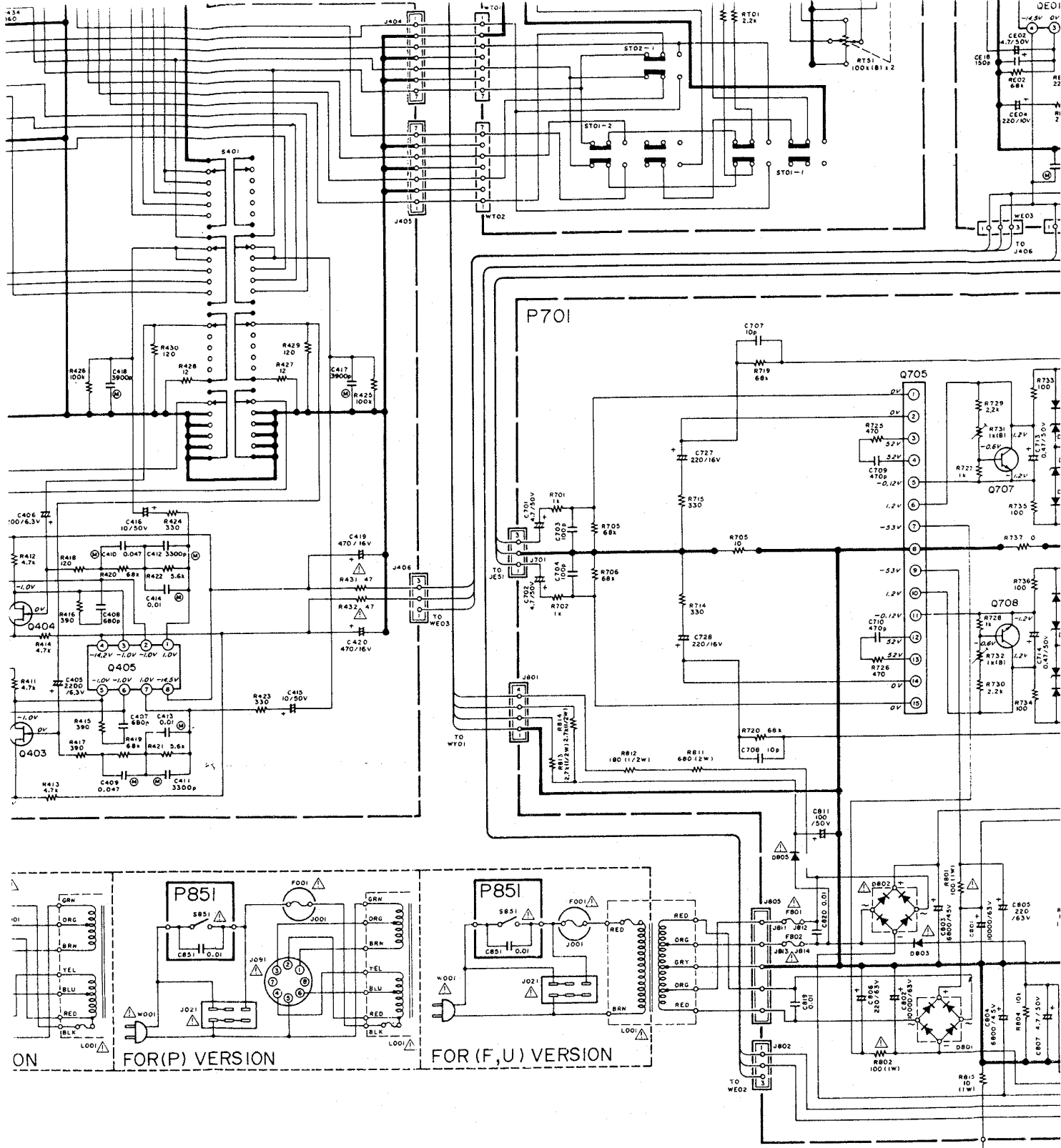





- 
 2SC1845 (F, E)
 Q707, Q708
 QN01, QN02, QN06, QU07, QU53
- 
 2SK369 (BL)
 Q401~Q404
- 
 2SC3298 (O, Y)
 Q713, Q714
- 
 2SA1306 (O, Y)
 Q715, Q716
- 
 2SA992 (F, E)
 QN03~QN05
 QU08, QU54

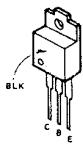
NOTE ON SAFETY:

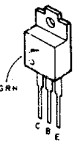
Symbol Δ Fire or electrical shock hazard. Only original parts should be used to replace any part marked with symbol Δ . Any other component substitution (other than original type), may increase risk of fire or electrical shock hazard.

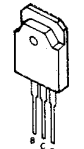


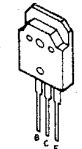
- 1845 (F, E)
7, Q708
11, QN02, QN06, QU07, QU53
- 2SK369 (BL)
Q401~Q404

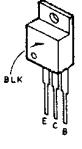

- 2SC3298 (O, Y)
Q713, Q714

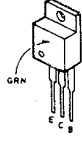

- 2SA1306 (O, Y)
Q715, Q716


- 2SD1238 (R, S)
QU03


- 2SB922 (R, S)
QU04

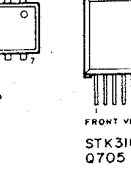
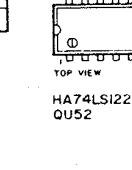
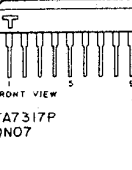
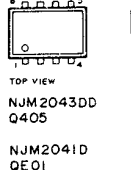
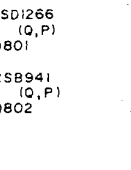
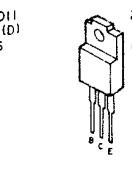
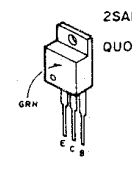
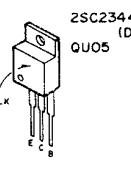
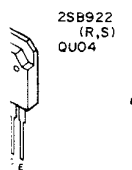
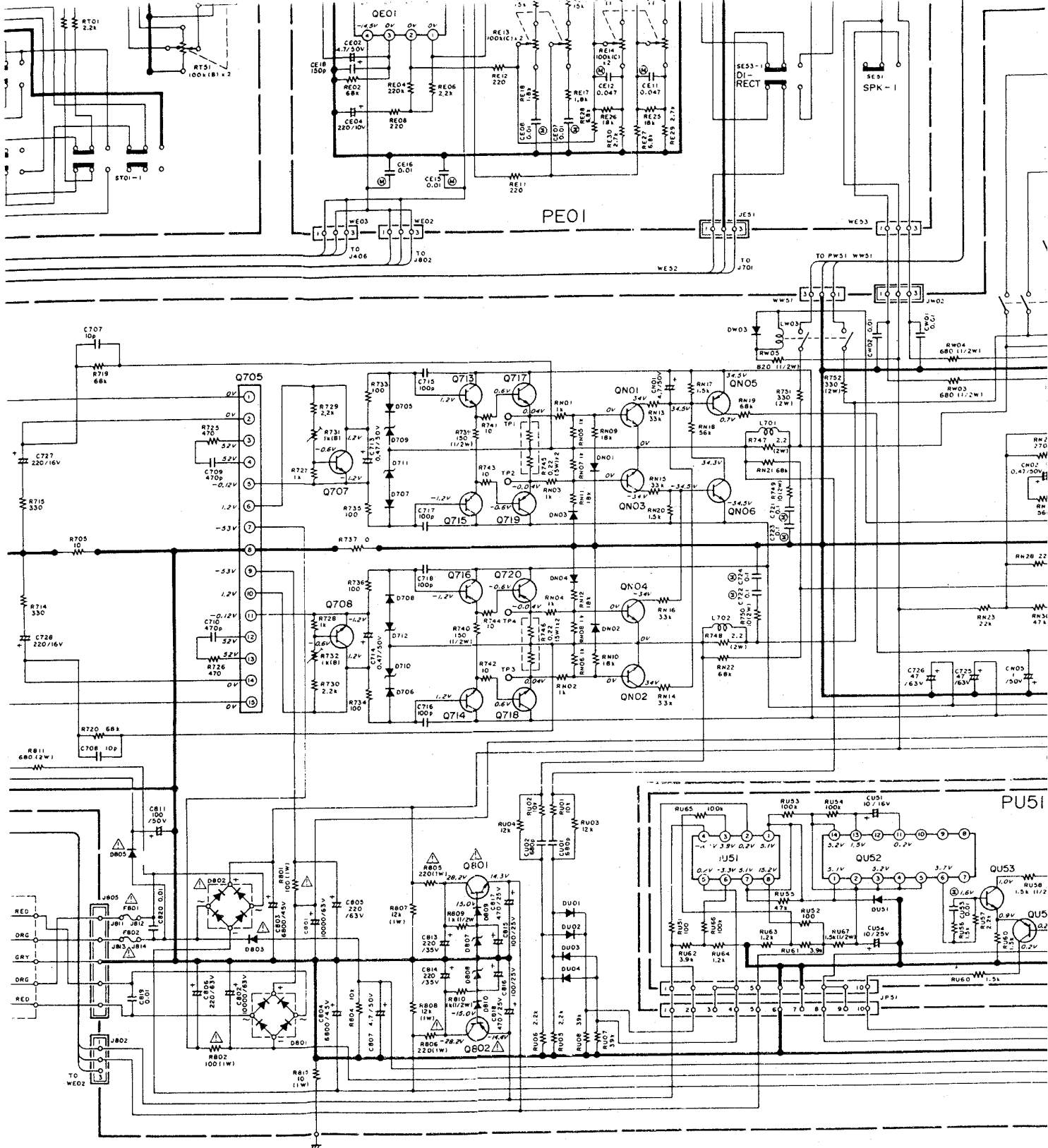

- 2SC2344 (D)
QU05


- 2SA1011 (D)
QU06



ON SAFETY:

! Δ Fire or electrical shock hazard. Only original parts be used to replace any part marked with symbol Δ . Other component substitution other than original may increase risk of fire or electrical shock hazard.



NJM2041D
QE01
NJM2903D
QU51

Components and wiring are subject to change for mod

